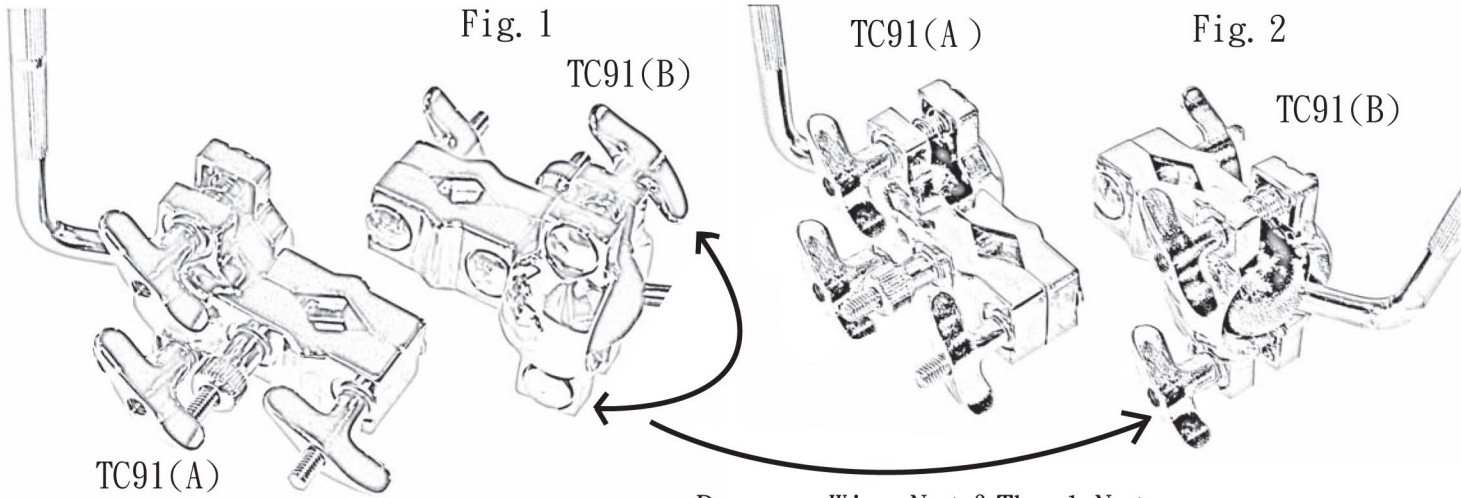


Taye's TC91 Single Tom Clamp to TC-92 Double Tom Clamp Conversion



TC91(A)

Fig. 1

TC91(B)

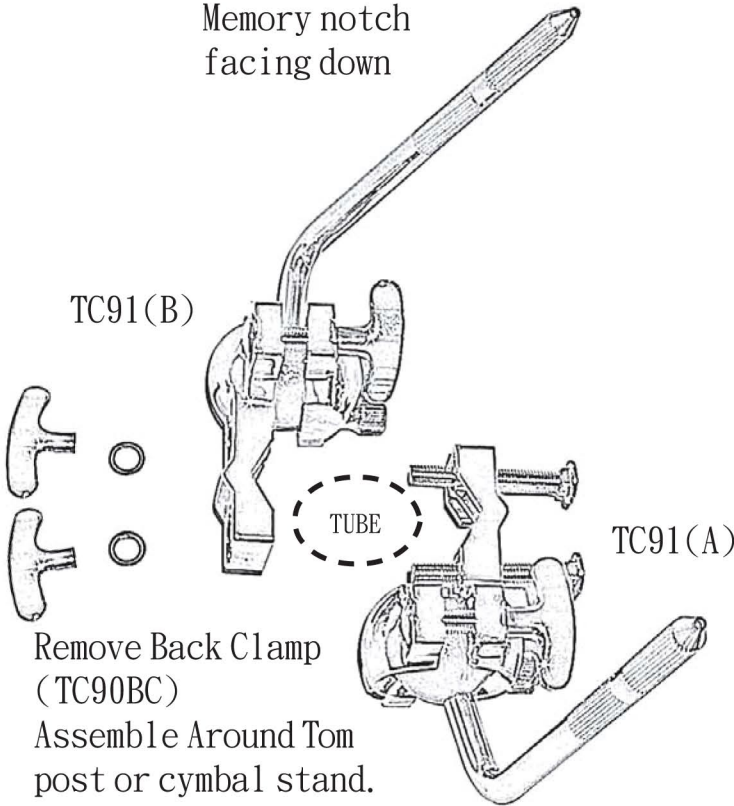
TC91(A)

Fig. 2

TC91(B)

Reverse Wing Nut & Thumb Nut
on TC91(B)

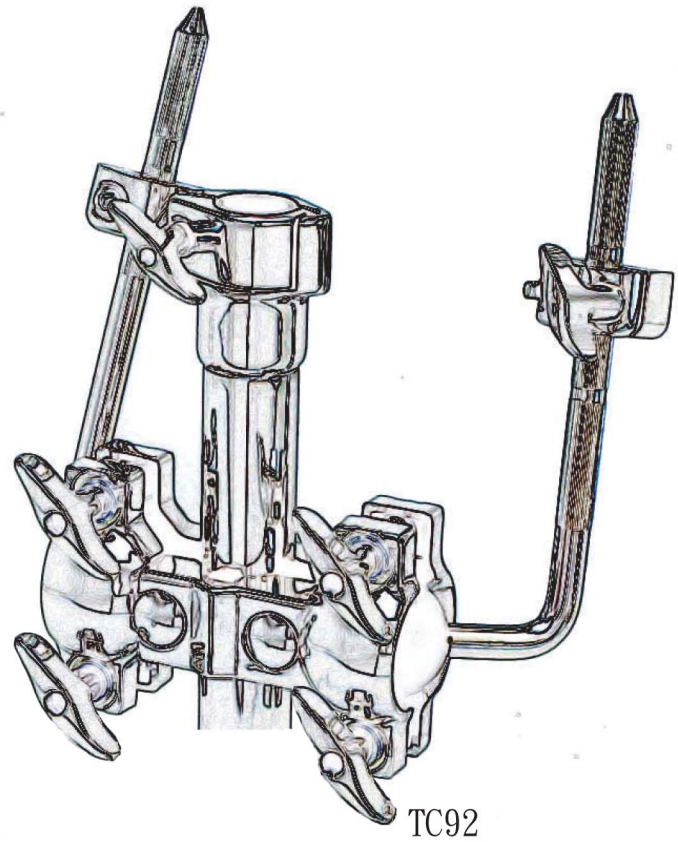
2 - TC91 Tom Clamps
Memory notch
facing down



TC91(B)

TC91(A)

Remove Back Clamp
(TC90BC)
Assemble Around Tom
post or cymbal stand.



TC92

Final Assembly looks like this

Save these extra parts
for future use

